

# Optiva OTS-RSU-4 2.7 GHz Wideband 1x4 RF Redundancy Switch



## Applications

- RF Redundant Link

## Features

- 50 MHz to 2.7 GHz Satellite Signals
- 1x4 Switch Configuration
- 50 Ohm SMA
- Dedicated Comm-Link for Rapid Switching Response
- Automatic and Manual Redundancy Modes
- Manual Position/Enable Select Button
- Channel Status and Switch Position LED
- SNMP Monitoring and Control
- LNB Power Pass-Through
- Hot Swap Redundant Power Supplies
- 16 Slot Enclosure Available
- CE & CSA Certified Device, RoHS Compliant

The Optiva OTS-RSU-4 2.7 GHz Wideband 1x4 RF Redundancy Switch is optimized to perform in the 50 MHz to 2.7 GHz frequency range. The OTS-RSU series supports satellite signal transport link redundancy applications for 1x4 redundant switch configurations when integrated with Optiva RF fiber optic transmitters and receivers.



Optiva Wideband RF Redundancy Switch Units are SNMP compliant. They can be housed in the same chassis and monitored by the same Network Management System (NMS) as Optiva HD video, audio, serial data, and USB extension / distribution cards.

## System Design

The Optiva platform includes a wide range fiber optic transport products for satellite and microwave communications from 1 MHz to 40 GHz. These units can be used to construct transparent inter- and intra-facility links from 1 meter to >100 km for RF and microwave signal transport, antenna remoting, video transport, electronic warfare systems and other high-dynamic-range applications.

**optiva** | PLATFORM

Optiva is a completely modular, hot-swappable platform. Both 19" rack-mount and compact tabletop, or wall-mountable enclosures are available. The 3 RU 19" rack mount, fan-cooled enclosures (Model OT-CC-16 and OT-CC-16F) can support up to 16 insert cards and utilize two dual-redundant, hot-swappable, 100 or 200 watt power supplies. The 1 RU 19" rack-mount, fan-cooled enclosure (Model: OT-CC-6-1U) can accommodate 6 insert cards and utilizes two hot-swappable 60 watt power supplies. Compact one-slot (OT-DTCR-1), or two-slot (OT-DTCR-2) enclosures are also available that use an external wall-mount power supply.

## OT-CC-16F Enclosure

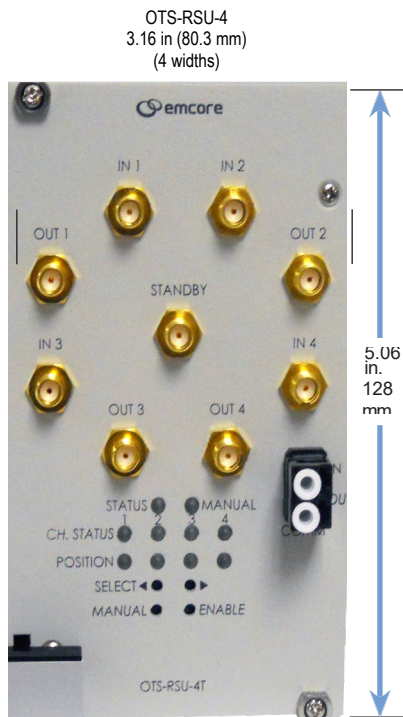


# Optiva OTS-RSU-4 2.7 GHz Wideband 1x4 RF Redundancy Switch

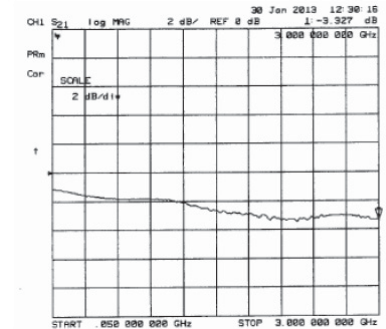
## Performance Highlights

Parameter	Min	Typical	Max	Units
Frequency Range	50	-	2700	MHz
Insertion Loss	-	-	5	dB
Isolation	40	-	-	dB
Return Loss	8	-	-	dB
Input IP3	40	-	-	dB
DC Electrical (at 12 VDC)	-	500	-	mA

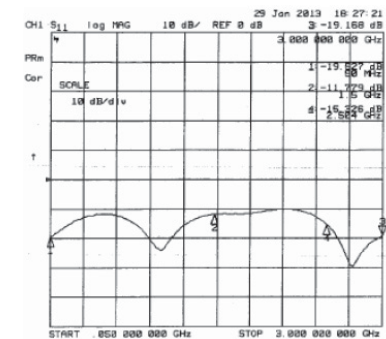
## Front Panel Interface



## S21 Plot

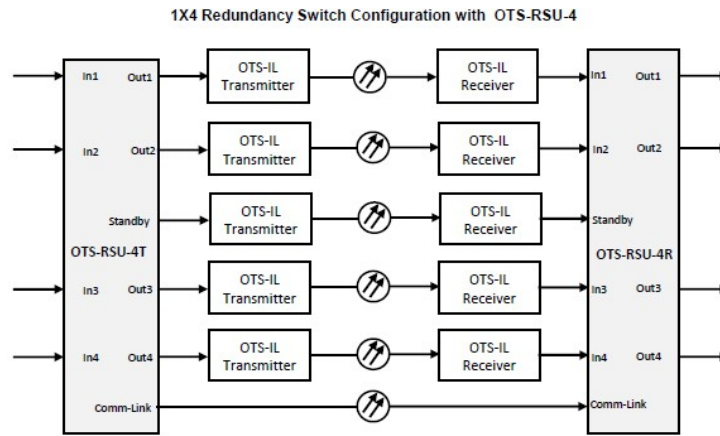


## S11 Plot



# Optiva OTS-RSU-4 2.7 GHz Wideband 1x4 RF Redundancy Switch

## Block Diagram



## Ordering Information

Product Code	Specifications
OTS-RSU-4T-S5	RSU, 1x4, Tx, Optiva, 50-2700 MHz, 50 Ohm, SMA
OTS-RSU-4T-S5-SS	RSU, 1x4, Tx, Optiva, 50-2700 MHz, 50 Ohm, SMA, five SMA/SMA cables
OTS-RSU-4R-S5	RSU, 1x4, Rx, Optiva, 50-2700 MHz, 50 Ohm, SMA
OTS-RSU-4R-S5-SS	RSU, 1x4, Rx, Optiva, 50-2700 MHz, 50 Ohm, SMA, five SMA/SMA cables
OPV-CTRL-IC	NMS SNMP Controller Card, MIB, OrtelView GUI for Optiva Family
OTS-1LT1/S5-1306-SA-IC	Transmitter, 50-2700 MHz, SMA 50 ohm, 1310 nm, 6 dBm, SC/APC - See Data Sheet
OTS-1LSR/S5-SA-IC	Receiver, Hi-Sensitivity, 50-3000 MHz, SMA 50 ohm, SC/APC - See Data Sheet
OT-CC-16F-XXX	Chassis, Rack-Mount, 16 Slot, 3 RU -- See Data Sheet
PS-200F-XX	Power Supply, 12 VDC, 100 to 240 VAC, 50/60 Hz, (Specify power cord (NA, EU, UK)) - See Data Sheet