

Optiva OTS-RSU-2 2.7 GHz Wideband RF Redundancy Switch Unit



Applications

- RF Redundant Link

Features

- 50 MHz to 2.7 GHz Satellite Signals
- 1x1 Switch Configuration
- 50 & 75 Ohm BNC or 50 Ohm SMA
- Automatic and Manual Redundancy Modes
- Manual Position Select Button
- Channel Status and Switch Position LED
- SNMP Monitoring and Control
- Fits in Optiva Enclosures Which Support Daisy Chain Video, Audio and Data Links
- Hot Swap Redundant Power Supplies Virtually Eliminate Downtime
- 16, 6, 2, & 1 Slot Enclosures Available
- CE & CSA Certified Device, RoHS Compliant

The Optiva OTS-RSU-2 2.7 GHz Wideband RF Redundant Switch Unit is optimized to perform in the 50 MHz to 2.7 GHz frequency range. The OTS-RSU-2 Supports satellite signal transport link redundancy application for 1x1 redundant switch configurations when integrated with the Optiva RF fiber optic transmitters and receivers.



Optiva Wideband RF Redundancy Switch Units are SNMP compliant. They can be housed in the same chassis and monitored by the same Network Management System (NMS) as Optiva HD video, audio, serial data, and USB extension / distribution cards.

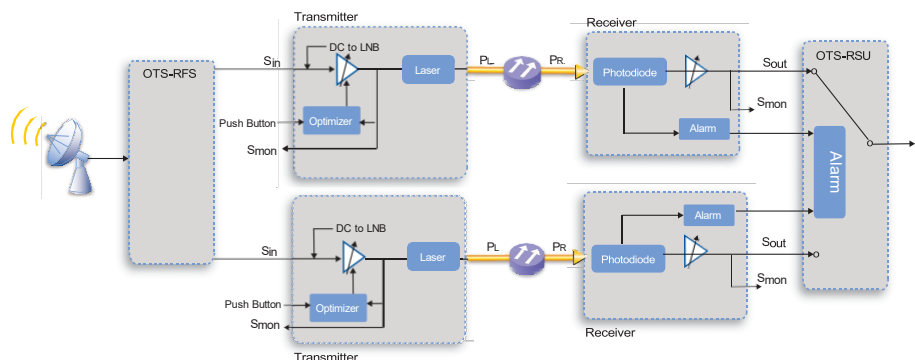
System Design

The Optiva platform includes a wide range fiber optic transport products for satellite and microwave communications from 1 MHz to 40 GHz. These units can be used to construct transparent inter- and intra-facility links from 1 meter to >100 km for RF and microwave signal transport, antenna remoting, video transport, electronic warfare systems and other high-dynamic-range applications.

optiva PLATFORM

Optiva is a completely modular, hot-swappable platform. Both 19" rack-mount and compact tabletop, or wall-mountable enclosures are available. The 3 RU 19" rack mount, fan-cooled enclosures (Model OT-CC-16 and OT-CC-16F) can support up to 16 insert cards and utilize two dual-redundant, hot-swappable, 100 or 200 watt power supplies. The 1 RU 19" rack-mount, fan-cooled enclosure (Model: OT-CC-6-1U) can accommodate 6 insert cards and utilizes two hot-swappable 60 watt power supplies. Compact one-slot (OT-DTCR-1), or two-slot (OT-DTCR-2) enclosures are also available that use an external wall-mount power supply.

Block Diagram



Optiva OTS-RSU-2 2.7 GHz Wideband RF Redundancy Switch Unit

Performance Highlights

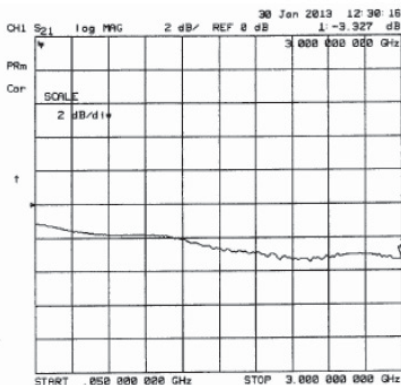
Parameter	Min	Typical	Max	Units
Frequency Range				
50 Ohm	50	-	2700	MHz
75 Ohm	50	-	2500	MHz
Insertion Loss	-	-	0.9	dB
Isolation	40	-	-	dB
Return Loss	8	-	-	dB
Input IP3	40	-	-	dB
Switching Time**	-	-	150	ns
DC Electrical (at 12 VDC)	-	250	-	mA

** tON, tOFF (50% CTL to 10/90%) RF)

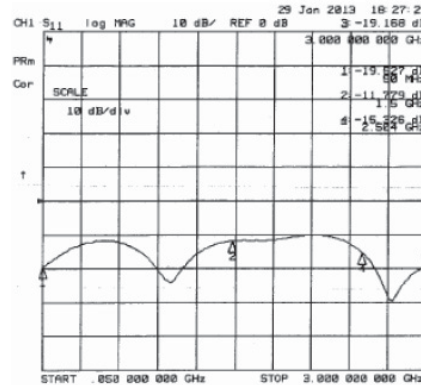
Ordering Information

Product Code	Specifications
OTS-RSU-2-S5	RSU, 1x1, Optiva, 50-2700 MHz, 50 Ohm SMA
OTS-RSU-2-S5-SS	RSU, 1x1, Optiva, 50-2700 MHz, 50 Ohm SMA, two SMA/SMA cables
OTS-RSU-2-B5	RSU, 1x1, Optiva, 50-2700 MHz, 50 Ohm BNC
OTS-RSU-2-B5-BB	RSU, 1x1, Optiva, 50-2700 MHz, 50 Ohm BNC, two BNC/BNC cables
OTS-RSU-2-B7	RSU, 1x1, Optiva, 50-2500 MHz, 75 Ohm BNC
OTS-RSU-2-B7-BB	RSU, 1x1, Optiva, 50-2500 MHz, 75 Ohm BNC, two BNC/BNC cables
OPV-CTRL-IC	NMS SNMP Controller Card, MIB, OrtelView GUI for Optiva Family
OTP-1GETR-xx	Optical Tcvr, 1 CH, 10/100/1000 Ethernet over fiber, SM, LC - See OTP-1GETR Data Sheet
OTP-1ETR-A2/A2	Optical Tcvr, 1 CH, 10/100 Ethernet over fiber, SM, Dual LC - See OTP-1E Data Sheet
OT-CC-16F-XXX	Chassis, Rack-Mount, 16 Slot, 3 RU -- See OT-CC-16F Data Sheet
PS-200F-XX	Power Supply, 12 VDC, 100 to 240 VAC, 50/60 Hz, (Power cord: NA, EU, UK) See PS-200F-XX Data Sheet
OT-CC-6-XX	Chassis, Rack-Mount w/Power Supply, 6 Slot, 1 RU -- See OT-CC-6 Data Sheet
OT-DTCR-1 / OT-DTCR-2	Chassis, Flange-Mount, w/Power Supply, 1 slot/2 slot - See OT-DTCR Data Sheet

S21 Plot



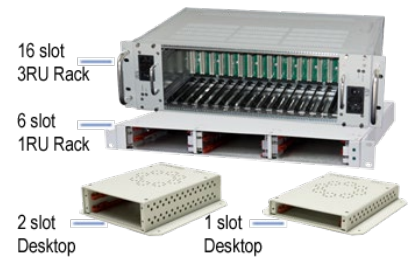
S11 Plot



OTS-RSU-2



Enclosure Options



FCC PART 15
COMPLIANT

RoHS
COMPLIANT

CE MADE IN
USA